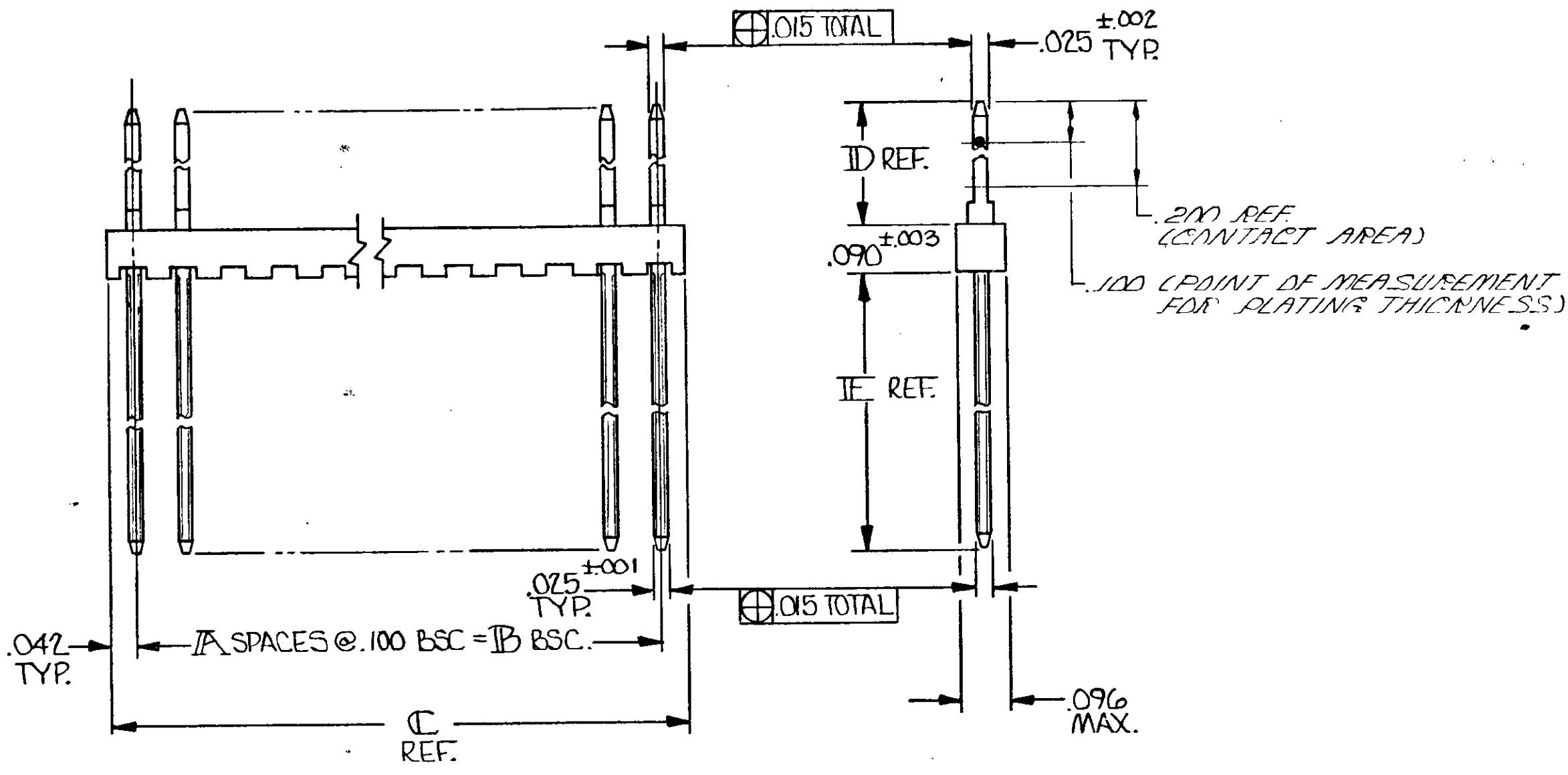
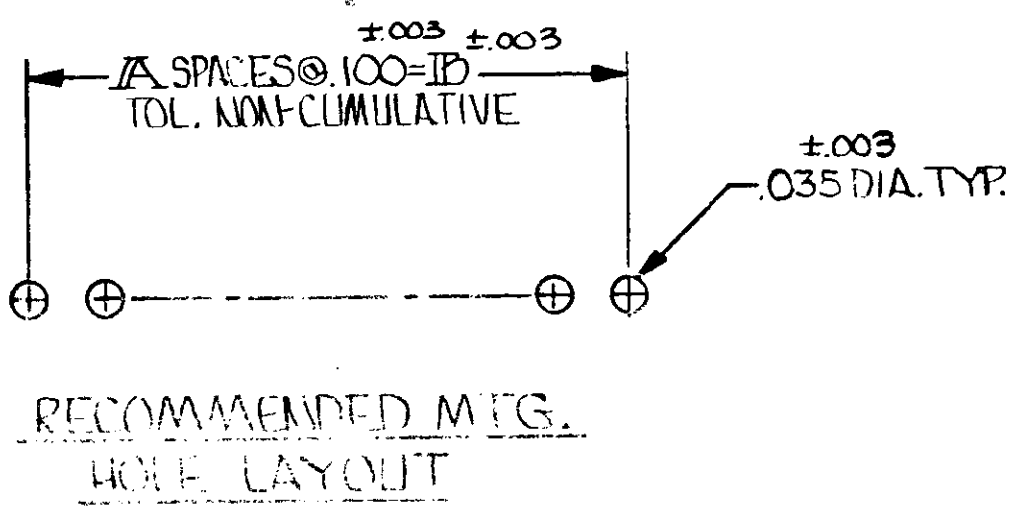


		REVISIONS		DATE	APPROVED
P	F	ZONE	LTR	DESCRIPTION	
			O		
			A	REVISED POSTS TO 37... (SEE 1480)	7-30-76
			A1	ADDED NOTE 2 ECH 276	7-30-76
			A2	A1V ECH 2837	8-26-76
			B	REV. PER ECH 2383	4-11-87
			C	REV LOC & DIST AD-4171	11-29-89
			D	REV PER AD-4846	10-31-90
			E	REV PER AD-5159	7-16-91
			F	REV PER 0010-1352-93	1-30-94
			G	EC. 0010-1359-93	



- △ .000030 GOLD ON CONTACT AREA, GOLD FLASH ON SOLDER AREA, ALL OVER .000050 NICKEL.
- 2. TRUE POSITION TOLERANCE OF POST TIPS APPLIES WHEN HEADERS ARE HELD FLAT AGAINST PRINTED CIRCUIT BOARD.
- △ OBSOLETE PART NUMBER

.154	318	3.984	3.900	39	△	40	4-87527-0
		3.884	3.800	38		39	3-△-9
		3.784	3.700	37		38	3-△-8
		3.684	3.600	36		37	3-△-7
		3.584	3.500	35		36	3-△-6
		3.484	3.400	34		35	3-△-5
		3.384	3.300	33		34	3-△-4
		3.284	3.200	32		33	3-△-3
		3.184	3.100	31		32	3-△-2
		3.084	3.000	30		31	3-△-1
		2.984	2.900	29		30	3-△-0
		2.884	2.800	28		29	2-△-9
		2.784	2.700	27		28	2-△-8
		2.684	2.600	26		27	2-△-7
		2.584	2.500	25		26	2-△-6
		2.484	2.400	24		25	2-△-5
		2.384	2.300	23		24	2-△-4
		2.284	2.200	22		23	2-△-3
		2.184	2.100	21		22	2-△-2
		2.084	2.000	20		21	2-△-1
		1.984	1.900	19		20	2-△-0
		1.884	1.800	18		19	1-△-9
		1.784	1.700	17		18	1-△-8
		1.684	1.600	16		17	1-△-7
		1.584	1.500	15		16	1-△-6
		1.484	1.400	14		15	1-△-5
		1.384	1.300	13		14	1-△-4
		1.284	1.200	12		13	1-△-3
		1.184	1.100	11		12	1-△-2
		1.084	1.000	10		11	1-△-1
		.984	.900	9		10	1-△-0
		.884	.800	8		9	△-9
		.784	.700	7		8	△-8
		.684	.600	6		7	△-7
		.584	.500	5		6	△-6
		.484	.400	4		5	△-5
		.384	.300	3		4	△-4
		.284	.200	2		3	△-3
		.184	.100	1		2	△-2
.154	318	.084	—	—	△	1	87527-1



UNLESS OTHERWISE SPECIFIED DIMENSIONS ARE IN INCHES. TOLERANCES ON: DECIMALS ±.005 ANGLES ±	CONTRACT NO		AMP INCORPORATED Harrisburg, Pa.	
	DR	B. W. 8-6-75	NAME	
	CHK	D. W. 8-7-75	HEADER ASSY., MOD II, .025 SQ. POSTS, .100 & SINGLE ROW	
	APPD	L. W. 8-7-75	SIZE CODE IDENT NO DRAWING NO	
MATERIAL HOUSING: GLASS FILLED NYLON COLOR: BLACK POST: PHOS BRONZE	APPD	L. W. 8-7-75	C	00779
FINISH POSTS: SEE TABLE	OSGN APPD			87527
	OTHER AP			SHEET